

Clamp mounts

for toggle clamps with forked clamping arm

SPECIFICATION

Steel
zinc plated, blue passivated

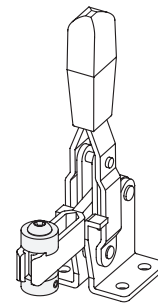
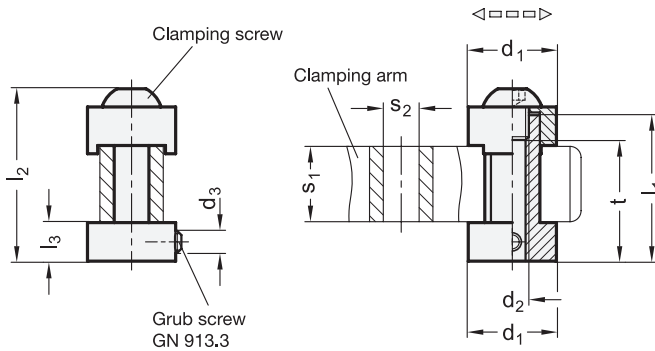
INFORMATION

GN 801 clamp mounts have been developed for use with toggle clamps that are designed with a forked clamping arm.

The clamp mounts can be moved along the clamping arm. Once the desired position is reached, you can secure the mount in place with the clamping screw.

The thread d_2 serves to hold the wide variety of toggle clamp spindle assemblies, spring elements and similar devices.

The ideal clamping height can be adjusted without loosening the clamp mount on the forked clamping arm.



GN 801

Description	d1	d2	l1	l2	l3	d3	s1	s2	t	For toggle clamps GN 810 GN 810.1	GN 812 GN 812.1	GN 820 GN 820.1 GN 820.2 GN 820.3 GN 820.4	GN 860 GN 862 GN 862.1	⚖
GN 801-16-M6	16	M 6	26.5	33 (31)*	7	M 4	16 (14)*	6.5	24 (22)*	130	-	130	125	25
GN 801-18-M8	18	M 8	31	38 (37)**	8	M 5	18 (17)**	8.5	26 (25)**	230	200	230	200	39
GN 801-22-M10	22	M 10	37	47 (45)***	8	M 5	22 (20)***	10.5	30 (28)***	330	300	355	300	70
GN 801-24-M10	24	M 10	41	49	8	M 5	24	10	32	-	-	-	-	100
GN 801-26-M10	26	M 10	39	48	8	M 5	22	12.5	30	430	-	-	400	160

* Dimension in (...) applies to GN 860

** Dimension in (...) applies to GN 812, GN 812.1, GN 862 and GN 862.1

*** Dimension in (...) applies to GN 812, GN 812.1, GN 860, GN 862 and GN 862.1

